

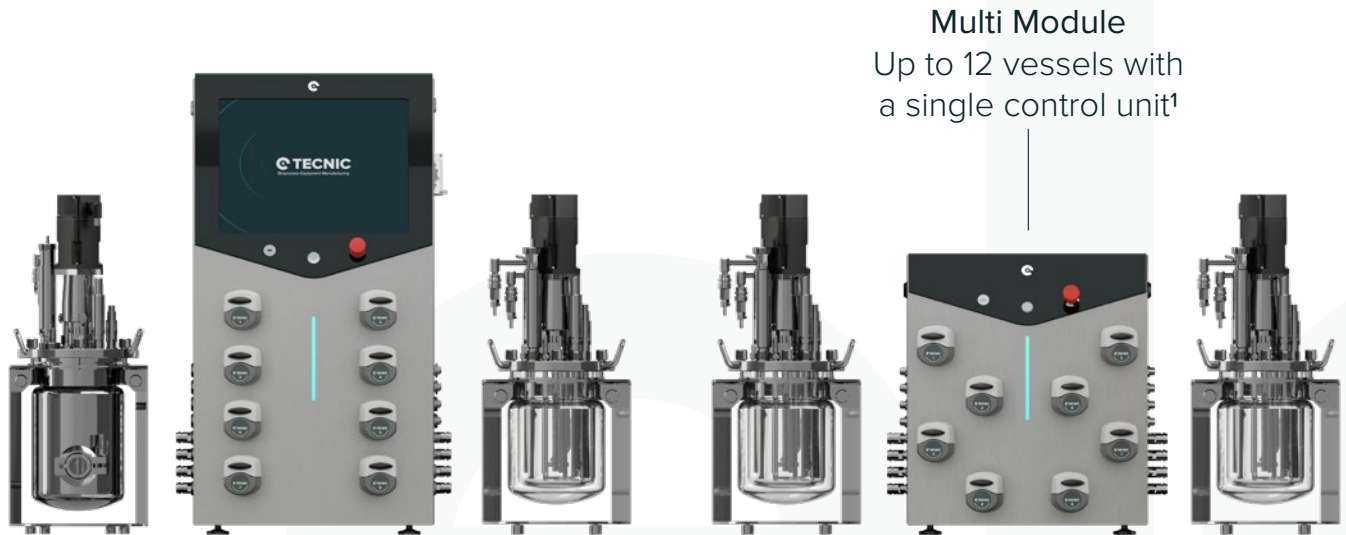
elab advanced

Up to 10 L



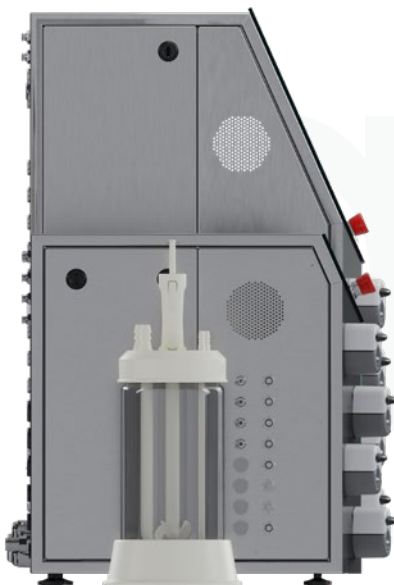
TECNIC

Designed with **scalability and versatility** in mind, eLAB Advanced empowers professionals across academia and industry to achieve optimal results in your bioprocesses.



The eLAB Advanced bioreactor is a versatile and efficient system engineered for the dynamic needs of bioprocessing laboratories. This bioreactor accommodates both single-use and multi-use vessels, providing **flexibility for a range of applications** and establishing a solid foundation for achieving high-quality biotechnological outcomes.

The **single-use vessel options**, ranging from 0.5 to 5 liters, are perfect for operations that require strict contamination control or expedited workflow transitions. For applications demanding durability and repeated use, the eLAB Advanced bioreactor seamlessly transitions to multi-use functionality, **supporting borosilicate glass and stainless steel vessels** from 1 to 10 liters, which ensures that your lab can adapt to various research demands without the need for multiple equipment.



Precision, control, and versatility are at the heart of the eLAB Advanced bioreactor design. It is crafted to foster an **optimal cultivation environment**, ensuring the highest quality yields in cell culture and microbial fermentation.

Discover the eLAB Advanced bioreactor and its **full range of capabilities** to see how it can improve your laboratory's productivity.

From top to bottom: Twin unit, Multi unit, Single use vessel.

¹ Each Multi module can connect up to two vessels.

Key Functionalities

eLAB Advanced

Working volumes	0.5, 1, 2, 5 and 10 L
Scalable vessels	Up to 12 independent vessels
Configuration	Microbial / Cell culture
Vessel material	Stainless Steel / Borosilicate glass / PP and PA 12
Integrated peristaltic pumps	4x for acid, base, antifoam and media addition
Jacketed vessel	Included
Temperature control	Included
Stirrer speed control	Included
DO control	Included
pH control	Included
Foam control	Included
Mass flow controller for gas addition	Included
Recipes management	Included
User's management	Included
Reports	Included
TECNIC OPC server	Included
eR&ID eADVANCED software	Included
Servomotor agitation	Included
Sampling kit	Included

Control Unit	Twin	Multi
Dimensions (WxHxD) (mm)	500x623x819	500 x 623 x 503
Weight approx (Kg)	60	37
Power supply	230 VAC, 50 Hz	
Consumption	14A	
Non-product contact material	Stainless steel AISI 304	
Product contact material	Stainless steel AISI 316L	
Controller type	Industrial PLC	
Operation/HMI Interface	Intouch Screen 15" / eSCADA	



Contact

Polígon Industrial Can Pruna
Carrer Ponent, Parcela 10, nau 1, 2 i 3
17421 Riudarenes, Spain
☎ +34 972 87 73 27
✉ sales@tecnic.eu
🌐 tecnic.eu

Stainless Steel Vessels
2 L, 5 L



Borosilicate Glass Vessels
1 L, 2 L, 5 L, 10 L



Single Use Vessels
0.5 L - 5 L



Technical data subject to change without notice.
24_5_0 eLAB Advanced | © TECNIC Bioprocess Solutions.

